

1

2

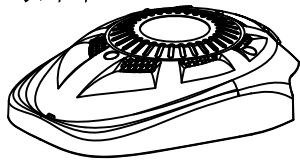
3

4

5

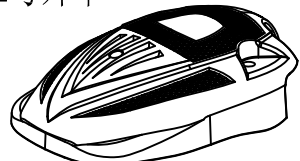
6

1号外罩



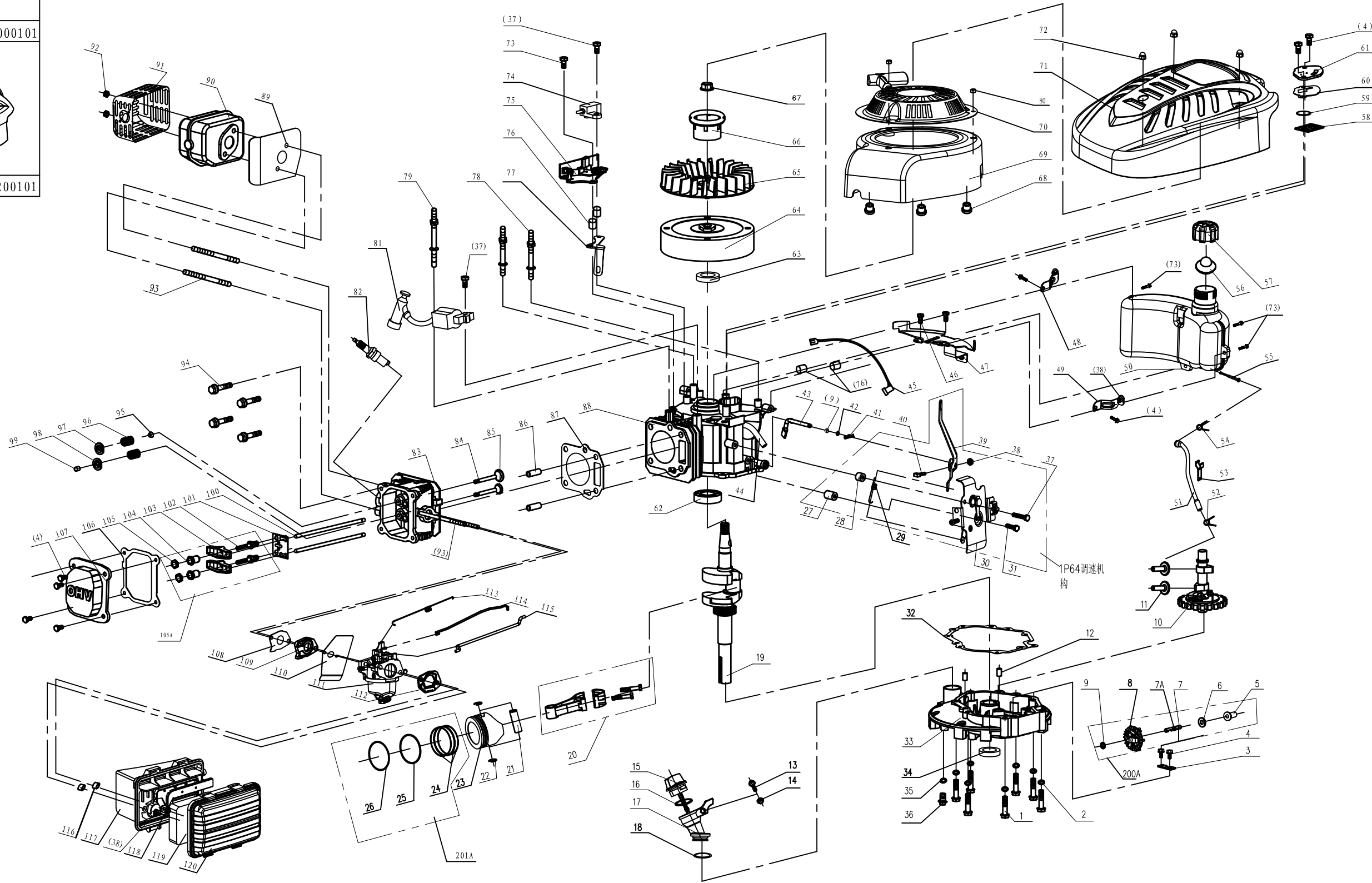
编号25219000101

2号外罩



编号25218200101

新DYM1P64FB 汽油机分解图 (单程)



借通用件登记

描图

校描

旧底图总号

签字

日期

说明:

颜色为 [diagonal lines] 的零件为汽油机较于易损件
颜色为 [cross-hatch] 的零件为汽油机一般易损件

				宁波叶园林设备有限公司		
				汽油机分解图明细表		
				新DYM1P64FB		
标记	设计	更改文件号	签字	日期	图样标记	重量
校核	设计	标准化				比例
审核					共 页	第 页
工艺	日期					

DG450 Motor spare-part list

Item	P/N	Part name(English)	Qty.
1	26800607601	bolt M6*30	7
2	26800702501	wave washer \varnothing 6	7
3	26300210102	dualhole pressing plate	1
4	26800604101	bolt M6*12	8
5	25100121601	slide sheath	1
6	26800703201	flat washer $6 \varnothing 6 * \varnothing 15 * 0.5$	1
7	26900104402	speed adjustment gear shaft	1
7A	26800900701	shaft steelwire block ring	1
8	23057001301	speed adjustment gear ass'y	1
9	26800702101	flat washer	2
10	23055000401	nylon camshaft ass'y	1
11	26900102301	tappet valve	2
12	26809001601	position fixed pin	2
13	26800608801	bolt M5*20	1
14	26800503501	bolt M5	1
15	25100121002	oil dipstick	1
16	25100123303	oil sealing ring 25*3.1	1
17	25100121102	oil adding pipe	1
18	25100123202	oil sealing ring 20*2.4	1
19	23053000601	crankshaft ass'y	1
20	23054000301	connecting rod ass'y	1
21	26900102201	piston pin	1
22	26900102101	piston pin clip spring	2
23	26400100601	piston	1
24	26300206901	combination oil ring	1
25	26300205901	piston ring 2	1
26	26300205801	piston ring 1	1
27	26900103201	sheath 1	1
28	26900103301	sheath 2	1
29	26801102601	speed adjustment spring	1
30	23057001602	speed adjustment ass'y	1
31	26800607701	flange bolt M6*32	1
32	25600100401	crankcase cover gasket	1
33	26400104002	cylinder body cover	1
34	25100123602	oil ring FB25*38*7	1
35	26300225901	drain plug washer	2
36	26300205601	oil drain plug	2
37	26800607801	flange bolt M6*25	3
38	26800501901	bolt M6	6
39	23057000901	speed adjustment arm	1
40	26800301101	speed adjustment bolt	1
41	26900103401	elastic pin	1
42	25100123501	oil ring FB6*11*4	1
43	26900103001	speed adjustment pole	1
44	25100135002	ventilation hose	1
45	23058000402	frameout cord ass'y	1
46	26800610901	bolt M6*16	2
47	26300215502	fuel tank bracket	1
48	26300215301	left fuel tank bracket	1
49	26300215401	right fuel tank bracket	1

50	25800100404	fuel tank	1
51	25100134803	fuel hose	1
52	26900102701	fuel hose clamp B	1
53	26300206401	fuel hose clamp	1
54	26900102601	fuel hose clamp A	1
55	25100131401	fuel filter	1
56	25100124501	fuel tank sealing washer	1
57	25100122702	fuel tank cap	1
58	26900102001	filter net	1
59	25100112601	breathing valve washer	1
60	25100123901	breathing sealing washer	1
61	23052000501	breathing cover ass'y	1
62	26800400201	rolling bearing 6205 E grade	1
63	25100123403	oil sealing FB22*35*7	1
64	23061000301	flywheel ass'y	1
65	25100121901	fan	1
66	26900103701	passive tray	1
67	26800502701	nut M14*1.5	1
68	26900103601	wind-guiding cover sheath	3
69	25218700102	wind-guiding cover	1
70	23052002801	starter ass'y	1
71	25219100101	#3 Engine cover (black)	1
72	26800501603	cap nut	3
73	26800608301	flange bolt M6*20	1
74	23058000202	frameout switch ass'y	1
75	23058000602	moving control ass'y	1
76	26800703001	washer sheath	2
77	26300211803	bracket for oil adding tube	1
78	26800614401	dual head bolt B	2
79	26800614301	dual head bolt A	1
80	26800502201	hex. Nut M6	3
81	23062000201	ignation ass;y	1
82	23062000301	spark F7RTC	1
83	26400100401	cylinder head	1
84	26300206001	intake valve	1
85	26300206101	exhaust valve	1
86	26809001501	position fixed pin	2
87	25600100201	cylinder head gasket	1
88	23052002001	cylinder	1
89	25600100101	muffler gasket	1
90	23060000901	muffler ass'y	1
91	23060000801	muffler guard ass'y	1
92	26800502401	flange self-locking nut M6	2
93	26800609901	nut screwM6*90.5	2
94	26800605001	flange nut M8*45	4
95	26300207401	oil block sheath	1
96	26801103101	valve spring	2
97	26900102401	intake valve retainer	1
98	26900102501	exhaust valve retainer	1
99	26400100801	top cat	1
100	23055000501	pushing rod ass'y	2
101	26300206301	pushing rod guide plate	1
102	26800605401	adjustment bolt	2
103	26300225701 or 26300206201	rocker arm	2

104	26800502501	adjustment nut	2
105	26800502601	lock nut	2
106	25100123701	cylinder head cover sealing gasket	1
107	26300207001	cylinder cover	1
108	25100122901	cylinder head and intake sealing gasket	1
109	25100121201	intake hose	1
110	25100124201	intake hose and carburetor sealing gasket	1
111	23056000901	carburetor ass'y	1
112	25600100301	filter sealing gasket	1
113	26801102901	accelerograph spring	1
114	26900102801	valve rod	1
115	26900108701	wind door stopping pole	1
116	26809003101	filter sheath	2
117	25228700101	filter base	1
118	25228800101	inner cover for filter	1
119	25100134901	empty filter core	1
120	25228600101	upper cover for filter	1
200A	23057000401	speed adjustment gear ass'y	1
201A	23054000801	piston combination	1