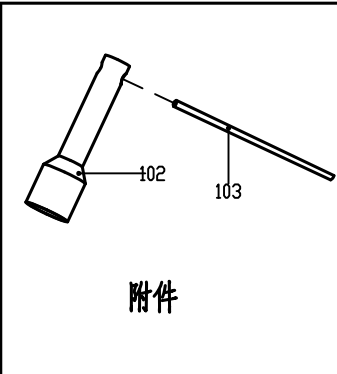
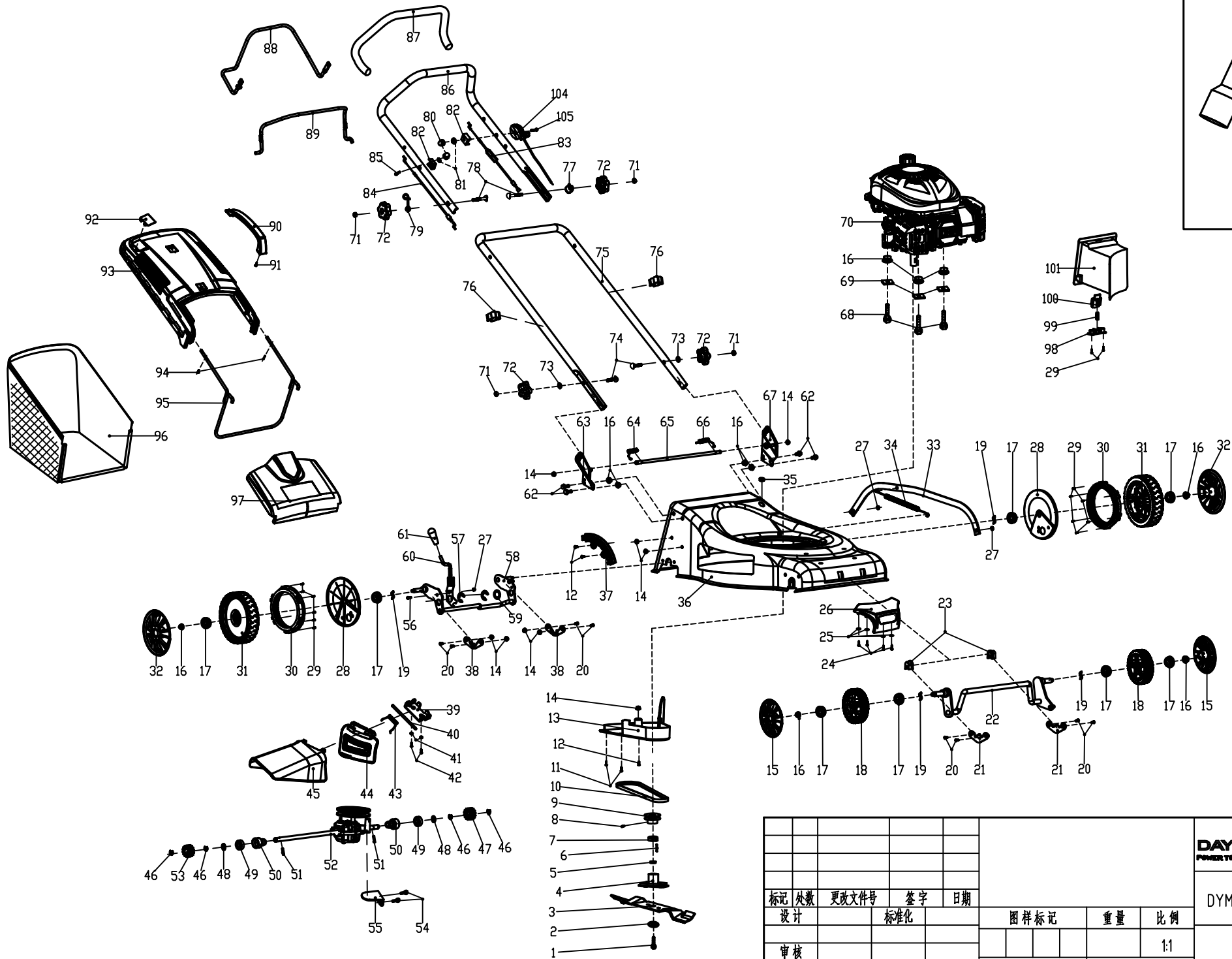


DT/ DYM1626CQ(DT-807856)Petrol lawnmower part list

Model No:		PARK 46TR	
Date:			
No	PN: (Order:DYM14339 01/DT:0911031823)	Description(EN)	Qty
1	26800606501	Blade fixing bolt	1
2	26300107302	washer	1
3	26300146502	Blade	1
4	26300168101	Blade support	1
5	26900209101	Sleeve of blade support	1
6	26809000201	Flat key	1
7	25231800101	Sleeve of blade support	1
8	26800300502	Screw	1
9	26300400202	Driving pulley	1
10	25100203302	Triangle belt	1
11	26800103701	ST screw	2
12	26800202001	Trigger screw	3
13	25205200101	Protection cover of belt	1
14	26800502401	Nut	9
15	23600105904	Wheel cover-2	2
16	26800502801	Fixing nut	11
17	26800401601	Bearing	8
18	25400204601	Wheel assy	2
19	26800706202	Wavy washer	4
20	26800201901	Machine screw	8
21	26300134202	Fixing board of wheel axle	2
22	26300187701	Front wheel axle assy	1
23	25202600101	Fixing ring for front wheel axle	2
24	26800100302	ST screw	4
25	26800700401	Flat key	4
26	25322500201	Front cover	1
27	26800500501	Fixing nut	3
28	25208700105	11" dustproof wheel cover	2
29	26800100501	ST screw	14
30	25229500101	Wheel gear ring	2
31	25400204502	Wheel assy	2
32	23600106103	Wheel cover-2	2
33	26300187901	Connection rod	1
34	26801103903	Spring of connection rod	1
35	25217800104	Protection sheath for cable	1
36	23601037001	Deck	1
37	23100105301	Height adjustment board	1
38	26300124401	Wheel axis fixing ring	2
39	26300154801	Side discharge fixing board	1
40	26200101901	Side discharge position fixing shaft	1

No	PN: (Order:DYM14339 01/DT:0911031823)	Description(EN)	Qty
41	26800800402	Washer	2
42	26800201501	Trigger screw	2
43	26801109001	Spring of side discharge cover	1
44	25249900102	Side discharge cover	1
45	25250000102	Side discharge protecting cover	1
46	26800900201	Open block ring	4
47	26900300102	Left output gear assy	1
48	26800705102	Flat key	2
49	26800402301	Bearing	2
50	26900203103	Bearing sleeve	2
51	26809000102	Colomnn pin	2
52	23050204401	Gear box assy	1
53	26900300202	Right output gear assy	1
54	26800611201	Bolt	2
55	26300258201	Fixing board	1
56	26800203001	Screw	1
57	26800900301	Open ring	2
58	26300187801	Rear wheel axle assy	1
59	26300107601	Washer	1
60	26300172502	Handle assy	1
61	25500110501	Handle sheath	1
62	26800606401	Bolt	4
63	23601004102	handle support, right	1
64	26801125501	Spring, right	1
65	26300282701	Long pole	1
66	26801125401	Spring, left	1
67	23601004002	Handle support, left	1
68	26800601701	Bolt	3
69	26300210602	Square washer	3
70	60400101304	Engine	1
71	26800502301	Nut	4
72	25236500501	Knob for lower handle	4
73	26800700701	Flat key	2
74	26800611802	Bolt	2
75	23601008702	Lower handle	1
76	25261100102	Cable clamp	2
77	25100108501	Curve washer	1
78	26800600401	Bolt	2
79	26300107102	Cable hook	1
80	26800501603	Lid shape nut	2
81	26800700801	Wahwer	2
82	25233600101	Fixing block for cable	2
83	29100116202	Traction cable assy	1

No	PN: (Order:DYM14339 01/DT:0911031823)	Description(EN)	Qty
84	29100135001	Flameout cable assy	1
85	26800607701	Bolt	1
86	23601026601	Upper handle	1
87	25600101701	Handle sheath	1
88	23600164101	Driving pulling pole	1
89	23600175701	Flameout pulling pole	1
90	25316700101	Handle of grass catcher	1
91	26800104601	ST screw	1
92	25275601601	Level indicator board	1
93	25316600101	Upper cover of grass catcher	1
94	26800103202	ST screw	2
95	26300295801	Bracket of grass bag	1
96	25100137851	Grass bag	1
97	23000494301	Rear cover	1
98	25231700101	Pressing board of locking knob	1
99	26801100501	Spring	1
100	25231600801	Locking knob of mulching kit	1
101	25232600101	Mulching kit	1
102	26300107801	Spanner	1
103	26300107901	Spanner pole	1
104	29100135901	Throttle cable assy	1
105	26800603601	Bolt	1



附件

				DAYE 宁波大叶园林设备有限公司 POWER TOOLS DAYE GARDEN MACHINERY CO., LTD.			
				DYM1626CQ汽油机割草机爆炸图			
标记	处数	更改文件号	签字	日期	图样标记	重量	比例
设计			标准化				1:1
审核							
工艺			日期		共 页	第 页	