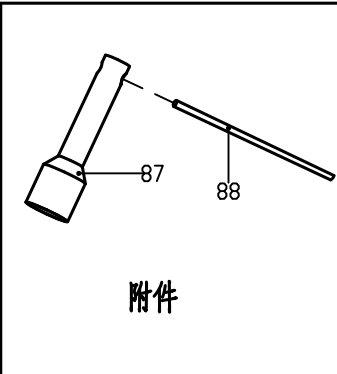
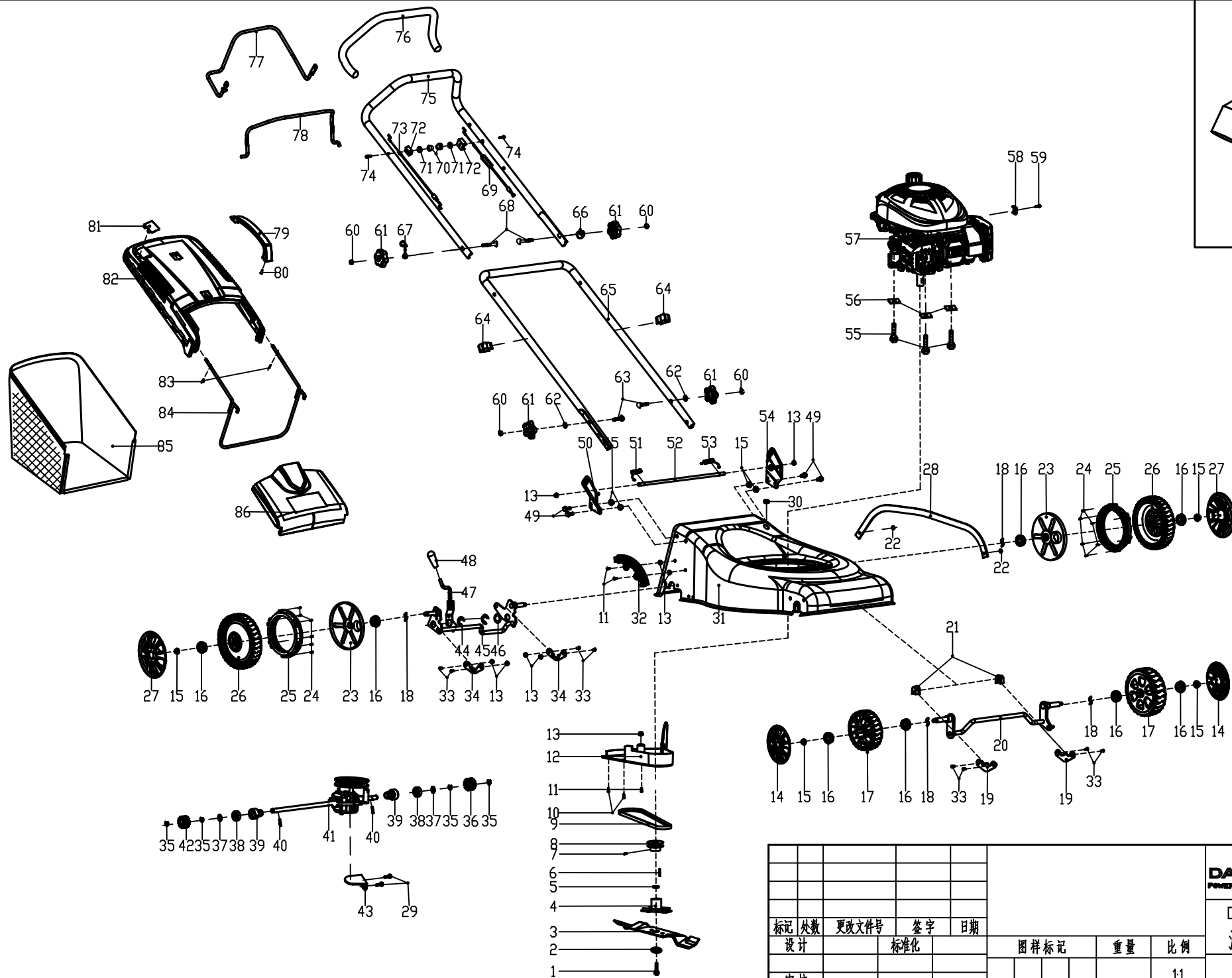


DT/DYM1664FQ(DT-807849) Petrol lawnmower part list

Model No:		PARK 41 STR	
Date:		Description(EN)	Qty
1	26800606201	Blade fixing bolt	1
2	26300107302	washer	1
3	26300267001	Blade	1
4	26300244801	Blade support	1
5	26900209201	Sleeve of blade support	1
6	26809000201	Flat key	1
7	26800300502	Sleeve of blade support	1
8	26300400202	Driving pulley	1
9	25100202002	Triangle belt	1
10	26800103701	ST screw	2
11	26800202001	Trigger screw	3
12	25211800101	Protection cover of belt	1
13	26800502401	Nut	9
14	23600105802	Wheel cover-2	2
15	26800502801	Fixing nut	11
16	26800401601	Bearing	8
17	25207600102	Wheel assy	2
18	26800706202	Wave washer	4
19	26300134202	Pressing board of wheel axle fixing	2
20	26300147801	Front wheel axle assy	1
21	25202600101	Fixing ring for front wheel axle	2
22	26800500501	Nut	2
23	25208000104	Dustproof wheel cover	2
24	26800100501	ST screw	12
25	25229900201	Washer of wheel	2
26	25400202003	Wheel assy	2
27	23600105904	Wheel cover-2	2
28	26300145901	Connection rod	1

2	26300107302	washer	1
29	26800611201	Bolt	2
30	25217800104	Protection sheath for cable	1
31	23601037101	Deck	1
32	25214200102	Height adjustment board	1
33	26800201901	Trigger screw	8
34	26300124401	Fixing ring of wheel axis	2
35	26800900201	Open ring	4
36	26900300102	Left output gear assy	1
37	26800705102	Flat key	2
38	26800402301	Bearing	2
39	26900203103	Bearing sleeve	2
40	26809000102	Colomnn pin	2
41	23050203301	Gear box assy	1
42	26900300202	Right output gear assy	1
43	26300258201	Fixing board	1
44	26800900301	Open ring	2
45	26300147901	Rear wheel axle assy	1
46	26300107601	Washer	1
47	26300180501	Handle assy	1
48	25500110501	Handle sheath	1
49	26800606401	Bolt	4
50	23601004102	Handle support, right	1
51	26801125501	Right turning spring	1
52	26300281301	Long pole	1
53	26801125401	Left turning spring	1
54	23601004002	Handle support, left	1
55	26800601701	Bolt	3
56	26300210602	Square washer	3
57	60400103402	Engine	1
58	26300108301	Pressing piece of cable	1
59	26800301201	Screw	1
60	26800502301	Nut	4
61	25236500501	Knob for lower handle	4
62	26800700701	Flat key	2

2	26300107302	washer	1
63	26800611802	Bolt	2
64	25261100102	Cable clamp	2
65	23601026701	Lower handle	1
66	25100108501	Curve washer	1
67	26300107102	Cable hook	1
68	26800600401	Bolt	2
69	29100115602	Driving pulling cable	1
70	26800501603	lid Shape nut	2
71	26800700801	Flat key	2
72	25233600101	Fixing block of cable	2
73	29100136001	Flameout cable assy	1
74	26800607701	Bolt	2
75	23601026601	Upper handle	1
76	25600101701	Handle sheath	1
77	23600164101	Driving pulling pole	1
78	23600175701	Flameout pulling pole	1
79	25316700101	Handle of grass catcher	1
80	26800104601	ST screw	1
81	25275601601	Level indicator board	1
82	25317700101	Cover of grass catcher	1
83	26800103202	ST screw	2
84	26300288001	Bracket of grass bag	1
85	25100137709	Grass bag	1
86	23000494701	Rear cover assy	1
87	26300107801	Spanner	1
88	26300107901	Spanner pole	1



附件

				DAYE 宁波大叶园林设备有限公司 POWER TOOLS DAYE GARDEN MACHINERY CO., LTD.			
				DYM1664FQ			
				汽油机割草机爆炸图			
标记	外委	更改文件号	签字	日期	图样标记	重量	比例
设计			标准化				1:1
审核							
工艺			日期		共 页	第 页	