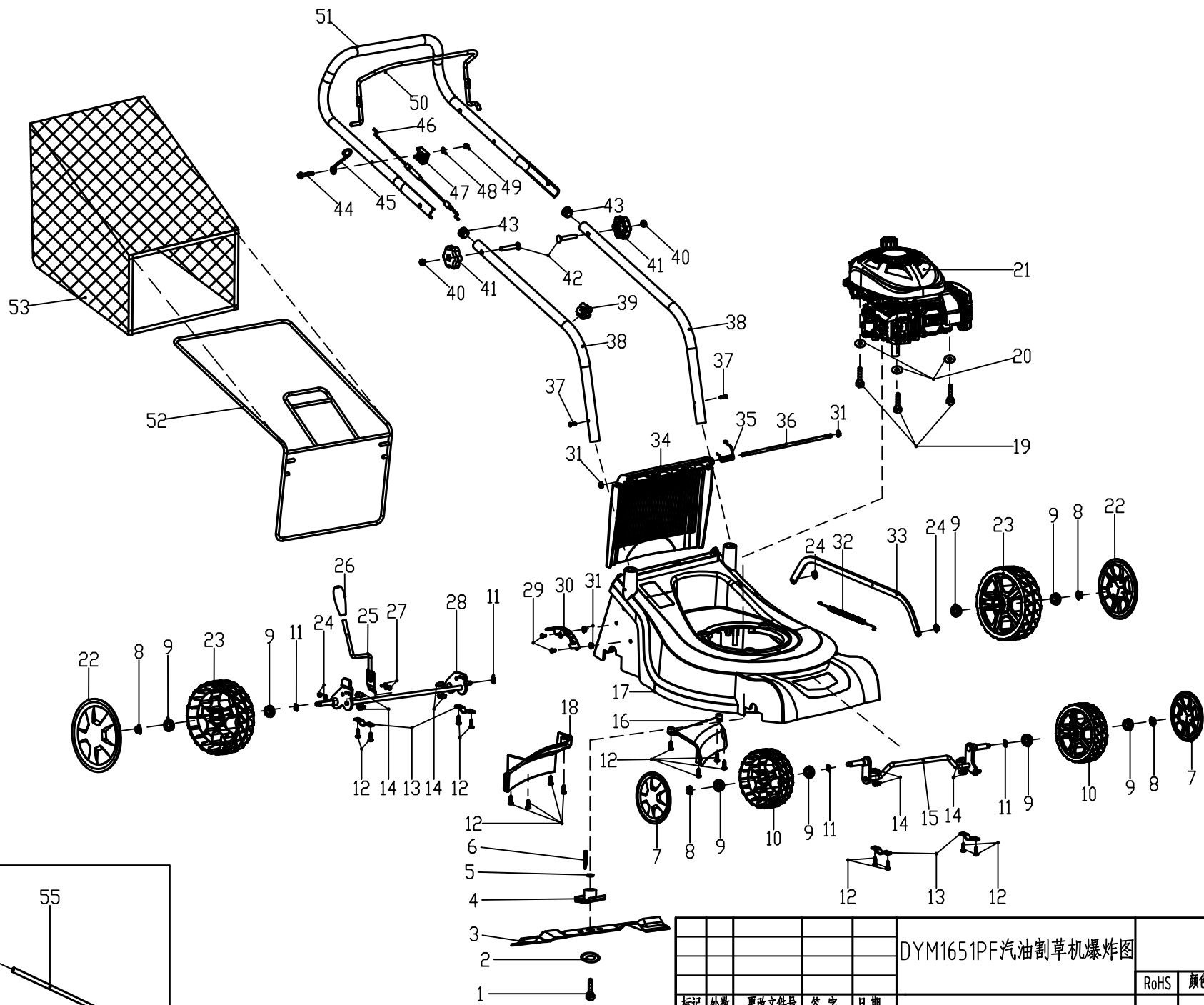


DT/DYM1651PF(DT-807832) Petrol lawnmower part list

No	PN: ( Order:DYM143 3901/DT:091103182 3)	Description(EN)	Qty
1	26800606501	Blade fixing bolt	1
2	26300107302	washer	1
3	26300162201	Blade	1
4	26300113301	Blade support	1
5	26900209101	Sleeve of blade support	1
6	26809000201	Flat key	1
7	25230400201	Wheel -4	2
8	26800502801	Nut	4
9	26800402501	Bearing	8
10	25230800102	Wheel	2
11	26800703601	Wave washer	4
12	26800106101	ST screw	16
13	26300180201	Pressed board	4
14	25254500101	Pressed seat of bearing	8
15	26300159901	Front wheel axle assy	1
16	25267600201	Block board	1
17	25500105003	Deck	1
18	25267800101	Protection cover	1
19	26800619201	Bolt	3
20	26800700201	Big washer	3
21	60400102102	Engine	1
22	25230600201	Wheel cover-4	2
23	25230200101	Wheel	2
24	26800500501	Fixing nut	4
25	26300180301	Handle assy	1
26	25500110501	Handle sheath	1
27	26800203001	Cross screw	2
28	26300160301	Rear wheel axle assy	1
29	26800202001	Machine screw	2
30	26300160601	Height adjustment board	1
31	26800502401	Nut	4
32	26801103903	Spring of connection rod	1
33	26300180101	Connection rod	1
34	25264000201	Rear cover	1
35	26801101201	Spring	1
36	26300174901	Long pole	1
37	26800104601	ST screw	2
38	23600179901	Enlarged handlebar	2
39	25261100102	Cable clamp	1
40	26800502301	Nut	2

41	25236500501	Knob of lower handle	2
42	26800601202	Bolt	2
43	25100119902	Plug	2
44	26800612101	Bolt	1
45	26300168401	Cable hook	1
46	29100121901	Flameout cable assy	1
47	25233600101	Fixing block of cable	1
48	26800700801	Flat key	1
49	26800501603	Lid shape nut	1
50	26300125502	Flameout pulling pole	1
51	23600179801	Upper handle	1
52	26300175001	Bracket of grass bag	1
53	25100146608	Grass bag	1
54	26300107801	Spanner	1
55	26300107901	Spanner pole	1



附件

					DYM1651PF汽油割草机爆炸图				
					RoHS	颜色	表面处理	重量	比例
									1:1
					共 页		第 页		
					<b>DAYE</b> 宁波大叶园林设备有限公司 <b>POWER TOOLS DAYE GARDEN MACHINERY CO., LTD.</b>				

标记	处数	更改文件号	签字	日期
设计				
审核				
批准				
标准化				